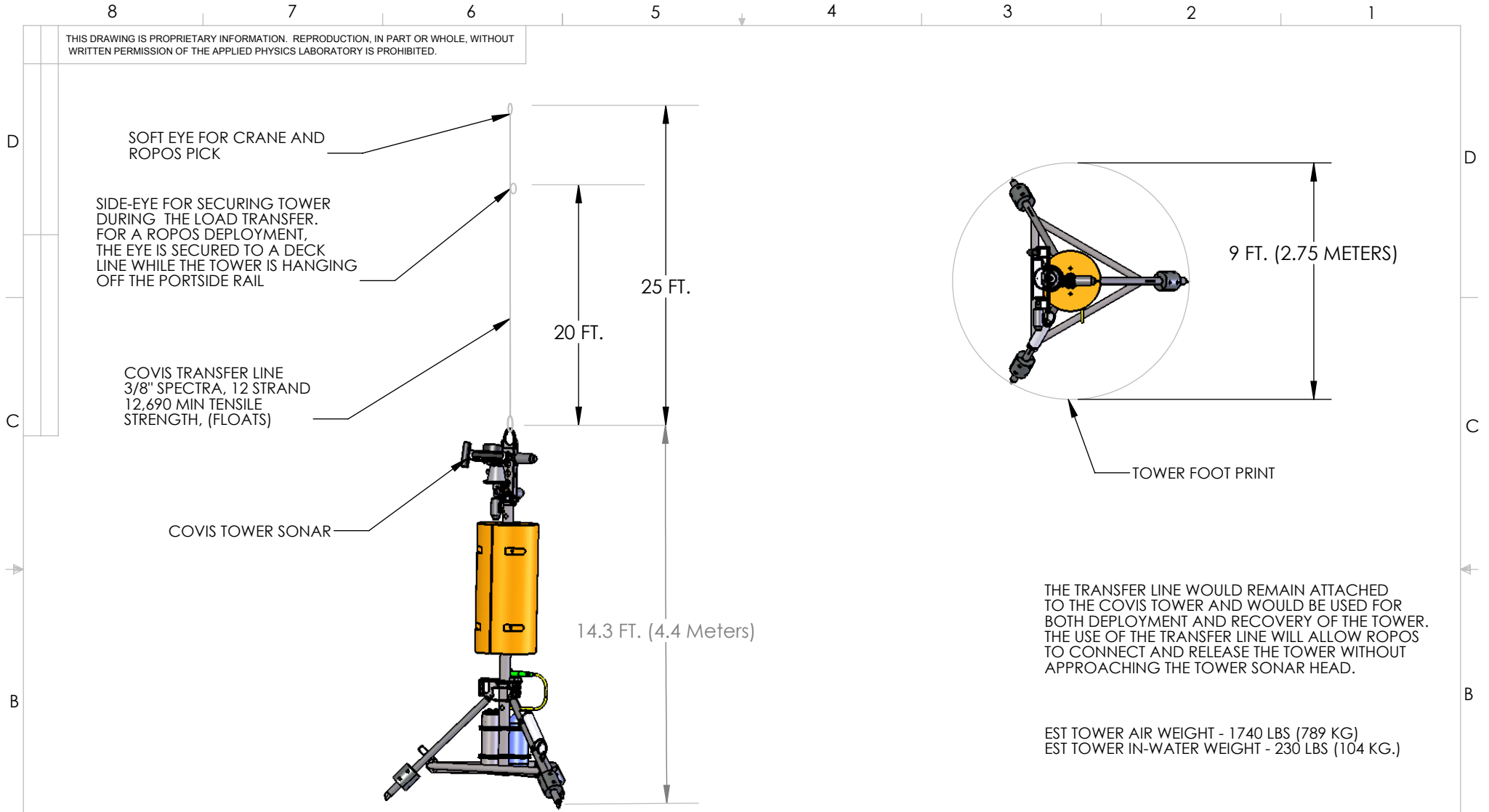


THIS DRAWING IS PROPRIETARY INFORMATION. REPRODUCTION, IN PART OR WHOLE, WITHOUT WRITTEN PERMISSION OF THE APPLIED PHYSICS LABORATORY IS PROHIBITED.



THE TRANSFER LINE WOULD REMAIN ATTACHED TO THE COVIS TOWER AND WOULD BE USED FOR BOTH DEPLOYMENT AND RECOVERY OF THE TOWER. THE USE OF THE TRANSFER LINE WILL ALLOW ROPOS TO CONNECT AND RELEASE THE TOWER WITHOUT APPROACHING THE TOWER SONAR HEAD.

EST TOWER AIR WEIGHT - 1740 LBS (789 KG)  
EST TOWER IN-WATER WEIGHT - 230 LBS (104 KG.)

DIMENSIONS AND SURFACE FINISH TO BE MET AFTER PROTECTIVE COATINGS	ITEM NO.	PART OR IDENTIFYING NO.	NOMENCLATURE OR DESCRIPTION	MATERIAL SPECIFICATION	QTY REQD												
PARTS LIST																	
		UNLESS OTHERWISE SPECIFIED DIMENSIONS ARE IN INCHES TOLERANCES ARE:		<b>APPLIED PHYSICS LABORATORY</b>													
		CAD GENERATED DRAWING, DO NOT MANUALLY UPDATE															
NEXT ASSY	USED ON	FRACTIONS	DECIMALS	ANGLES													
		+/- 1/8	.XX +/- .01	+/- 2 DEG.													
APPLICATION				<table border="1"> <tr> <th>APPROVALS</th> <th>DATE</th> </tr> <tr> <td>DRAWN Vern Miller</td> <td>7/13/2010</td> </tr> <tr> <td>CHECKED</td> <td></td> </tr> <tr> <td>RESP ENG</td> <td></td> </tr> <tr> <td>MFG ENG</td> <td></td> </tr> <tr> <td>QUAL ENG</td> <td></td> </tr> </table>		APPROVALS	DATE	DRAWN Vern Miller	7/13/2010	CHECKED		RESP ENG		MFG ENG		QUAL ENG	
APPROVALS	DATE																
DRAWN Vern Miller	7/13/2010																
CHECKED																	
RESP ENG																	
MFG ENG																	
QUAL ENG																	
THIRD ANGLE PROJECTION		MATERIAL N/A		<b>PROPOSED COVIS TOWER CONFIGURATION FOR DEPLOYMENT BY ROPOS</b>													
		FINISH															
		DO NOT SCALE DRAWING temp_a.sldprt		<table border="1"> <tr> <td>SIZE <b>A</b></td> <td>CAGE CODE 98514</td> <td>DWG. NO. 62610</td> <td>REV.</td> </tr> <tr> <td>SCALE 1:64</td> <td>CAD FILE: 62610</td> <td>SHEET 1</td> <td>OF 1</td> </tr> </table>		SIZE <b>A</b>	CAGE CODE 98514	DWG. NO. 62610	REV.	SCALE 1:64	CAD FILE: 62610	SHEET 1	OF 1				
SIZE <b>A</b>	CAGE CODE 98514	DWG. NO. 62610	REV.														
SCALE 1:64	CAD FILE: 62610	SHEET 1	OF 1														